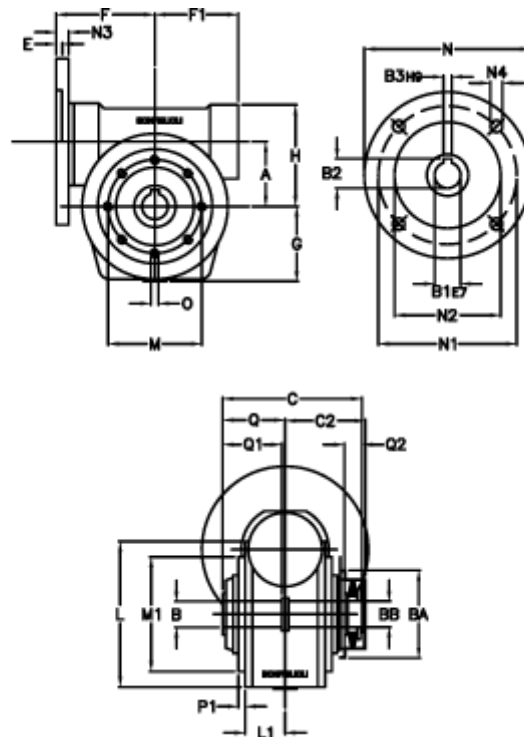


Article number: 390204901072836

Description: Worm Gear with Torque Limiter
VF 49-L2-P-10 P71B14

Measures



| | | | |
|------------|-------------------------------|-----------|----------|
| a = 49.50 | C2 = 63,5 | L1 = 36.8 | O = M6x8 |
| B = 25 | Description = VF 49P-xx-71B14 | m = 94 | P1 = 2.5 |
| B1 E7 = 14 | E = 3.0 | M1 = 68 | Q = 51.0 |
| B2 = 16.3 | F = 70 | N = 105 | Q1 = 41 |
| B3 H9 = 5 | F1 = 63 | N1 = 85 | Q2 = 15 |
| BA = 63 | g = 56 | N2 = 70 | |
| BB H7 = 14 | H = 80.0 | N3 = 10.5 | |
| C = 105 | L = 107.5 | N4 = 6,5 | |